

SSG® Food Warmer Glass

Installation and Operation Manual

1. GENERAL DESCRIPTION

SSG® Food Warmer Glass is a high-performance food warmer activated by electrically conductive glass, providing hygienic warming for foodstuffs and pastries.

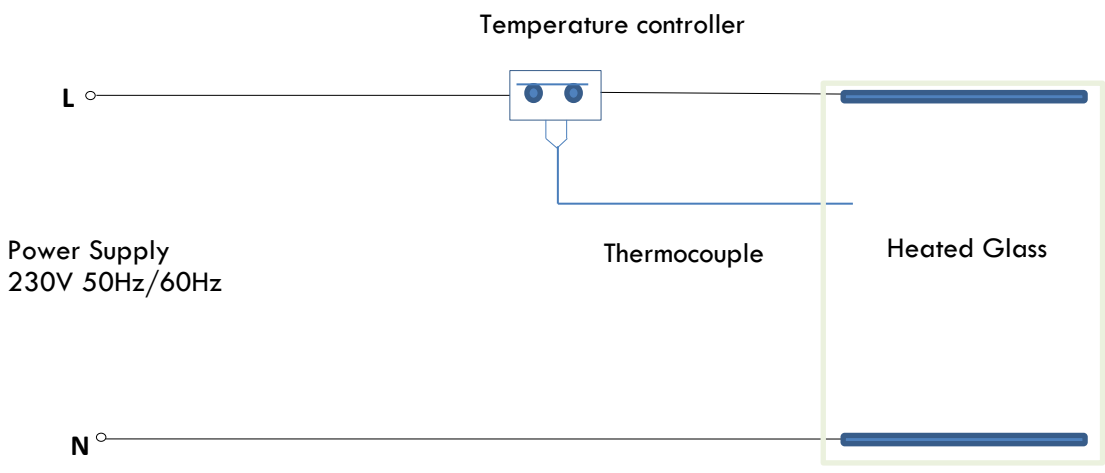
Operating Guidelines

- 1. The temperature controller must be installed with SSG® Food Warmer Glass.
- 2. Adjust the temperature controller to regulate the surface temperature of the glass. The glass surface temperature should not exceed 90°C.

(Please consult the vendor for any necessary assistance)

Installation Guidelines

SSG® Food Warmer Glass Circuit Diagram



2. SUPPLY

Parts List

1. SSG® Food Warmer Glass
2. Temperature controller

Safety

Please ensure that SSG® Food Warmer Glass is installed by qualified electrical personnel or technicians. Under no circumstances should electrical components be exposed to water or be allowed to come into contact with any form of moisture.

Failure to follow the instructions contained in this manual could result in personal injury and property damage.

3. LIMITED WARRANTY

Product warranty is valid for 1 year from the date of delivery.

Singapore Safety Glass Pte Ltd reserves the right to the final interpretation of the content of this manual. Customers will not be notified in the event of any amendments to the content.

The manufacturer disclaims all responsibility in the event of damage caused by improper, incorrect, or illogical use of this glass product.

For inquiry or more information, please contact:

Singapore Safety Glass Pte Ltd

112 Pioneer Road

Singapore 639593

Tel: (65) 68615530

Email: info@ssg.com.sg

NOTICE: Save this manual for future reference and keep it readily available.