

SSG® Heated Marine Glass Panes for ship windows – Model HS

Installation and Operation Manual

1. GENERAL DESCRIPTION

SSG® Heated Marine Glass Panes for ship windows, Model HS, are high-performance electrically conductive glass that prevents condensation in all environmental conditions, while providing high visibility without the presence of visible heating elements.

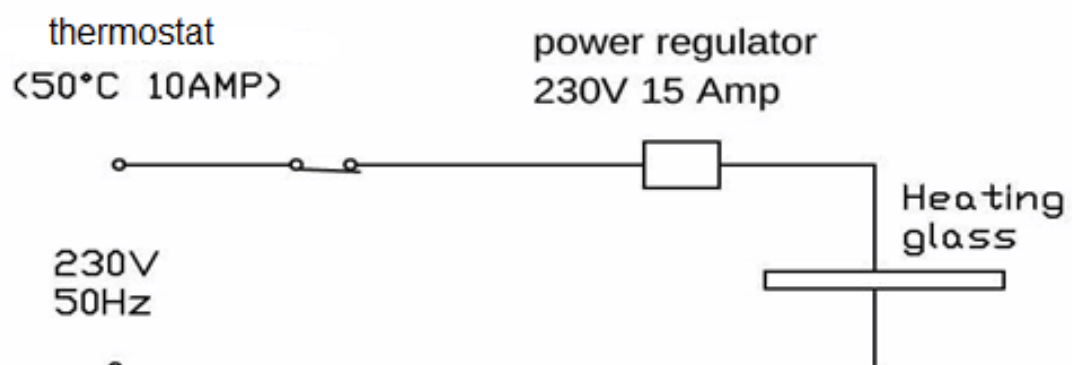
Operating Guidelines

1. The power regulator must be installed along with SSG® Heated Marine Glass Panes for ship windows.
2. Adjust the power regulator to regulate the glass surface temperature. The glass surface temperature should not exceed 45°C.

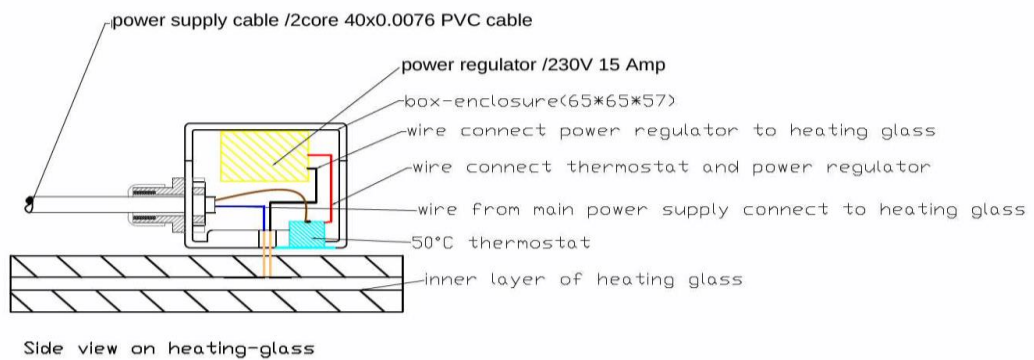
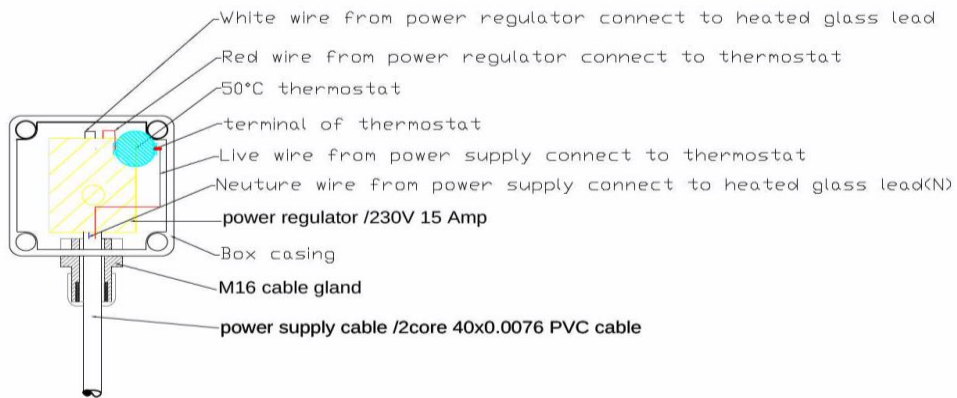
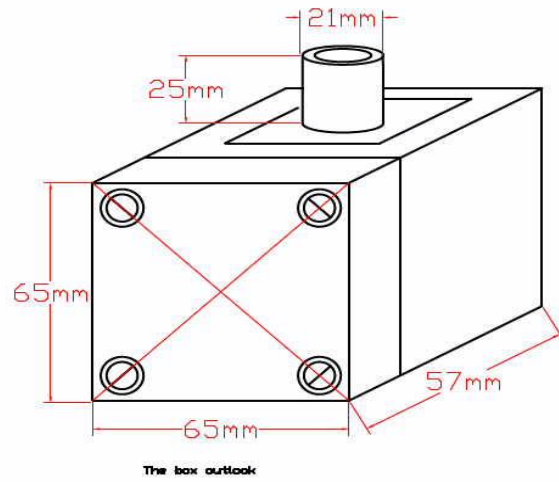
(Please consult the vendor for any assistance if necessary)

Installation Guidelines

SSG® Heated Marine Glass – Model HS Control Circuit



SSG® Heated Marine Glass – Model HS Terminal Box



2. SUPPLY

Parts List

1. SSG® Heated Marine Glass Panes
2. 25A Solid State Voltage Regulator 230 VAC
3. 10 Amp 230 V 50°C Thermostat
4. Terminal box

Safety

Please ensure that SSG® Heated Marine Glass Panes are installed by qualified electrical personnel or technicians. Under no circumstances should electrical components be exposed to water or be allowed to come into contact with any form of moisture.

Failure to follow the instructions contained in this manual could result in personal injury and property damage.

3. LIMITED WARRANTY

Product warranty is valid for 1 year from the date of delivery.

Singapore Safety Glass Pte Ltd reserves the right to the final interpretation of the content of this manual. Customers will not be notified in the event of any amendments to the content.

The manufacturer disclaims all responsibility in the event of damage caused by improper, incorrect, or illogical use of this glass product.

For inquiry or more information, please contact:

Singapore Safety Glass Pte Ltd

112 Pioneer Road

Singapore 639593

Tel: (65) 6861 5530

Email: info@ssg.com.sg

NOTICE: Save this manual for future reference and keep it readily available.